



Aircraft Ammunition
30 x 113B mm

APPLICATION

The 30 MM DEFA ammunition has been developed for use on 30 mm DEFA aircraft cannon models: 552, 552A, 553 and 554.

DESCRIPTION

The range comprises:

HEI:	High Explosive Incendiary nose fuze
SAPHEI:	Semi Armour Piercing High Explosive Incendiary – base fuze
API:	Solid Core Armour Piercing Incendiary with Ballistic Cap
TP:	Target Practice dummy fuze
HEI-T & TP-T:	Rounds are also available

The HEI and SAPHEI shells are high-volume explosive carriers with low shell body masses. The fuzes are of the direct action type with muzzle and rain-safety features and are designed to ensure an optimized explosive ignition delay against various modern targets with self destruct capabilities.

The SAPHEI shell penetrates 25 mm armour (110 kg/mm^2) at 0 degrees (NATO), at a range of 100m.

The API projectile has a tungsten carbide core which will penetrate 50 mm armour (110 kg/mm^2) at 0 degrees (NATO) at a range of 100 m. Special alloys provide a strong incendiary effect after penetration.

The TP round is ballistically identical to the operational types obviating the need to adjust sights when switching from one type to another.

FEATURES

The ammunition is manufactured under strict quality control to ensure consistent and reliable operation. The rounds satisfy all the safety requirements of modern aircraft ammunition, and comply to Mil Standards. The ammunition is supplied linked, for left or right hand feed.

PACKAGING

The ammunition is packed and palletised. Special packaging may be negotiated. Marking can be effected according to customer's requirements.



Standard packaging

TECHNICAL DATA

Complete Round

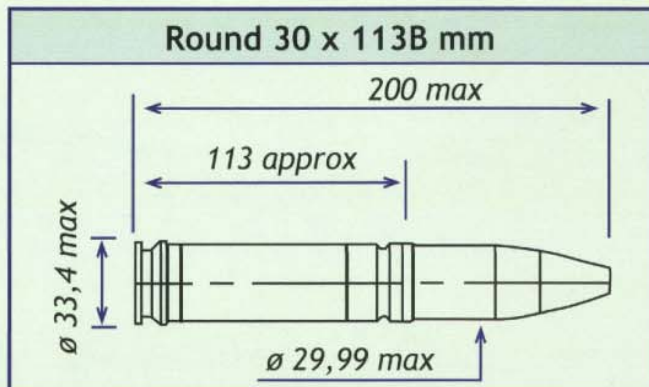
Length:	200 mm maximum
Mass:	447 gram
Muzzle velocity:	$820 \pm 10 \text{ m/s}$
Chamber Pressure (Piezo)	
Maximum:	$\leq 350 \text{ MPa}$
Average:	$\leq 315 \text{ MPa}$
Shell mass (filled & fuze):	242 gram
Driving Band:	Soft iron
Primer Cap type:	Electric
Cartridge Case Material:	Steel
Cartridge Case Length:	113 mm approximately

Penetration

SAPHEI:	25 mm at 100 metres
API:	50 mm at 100 metres

Fuze

Muzzle Safety:	8 meters
Action:	Impact with self destruction
Self Destruct Time:	5 - 15 seconds
Tracing Time:	4 seconds minimum



Complies with
SABS ISO 9001