



Anti Aircraft Ammunition

23 x 152B mm

APPLICATION

The 23 x 152B mm range has been developed for ground-to-ground and ground-to-air applications and is optimized for use with the ZU-23 gun systems.

DESCRIPTION

The range comprises of:

- API/T:** Solid Core Armour Piercing Tracer with ballistic cap and Incendiary composition
- HEI:** High Explosive Incendiary – nose fuzed

The API/T penetrates 50 mm armour (110 kg/mm^2) at 0 degrees (NATO) at a range of 200 meters, with strong incendiary effects behind the target.

The HEI shells are filled with Hexal P30, which ensures a strong blast and powerful incendiary effect after detonating.

The fuzes comply to Mil 331-A standards and have muzzle safety, rain safety and self destruction features.

FEATURES

The ammunition is manufactured under strict quality control to ensure consistent and reliable operation. The rounds satisfy all the safety requirements of modern anti-aircraft ammunition, and comply to Mil standards.

PACKAGING

The ammunition can be supplied linked in belts and is packed and palletised. Special packaging may be negotiated. Markings can be effected according to customer requirements.



Standard packaging

TECHNICAL DATA

Complete Round

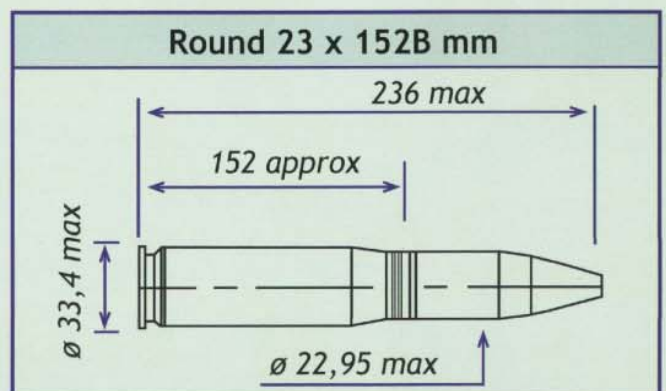
Length:	236 mm maximum
Mass:	455 gram
Muzzle velocity:	
API/T and HEI:	$975 \pm 10 \text{ m/s}$
Chamber Pressure (Piezo)	
Maximum:	$\leq 370 \text{ MPa}$
Average:	$\leq 345 \text{ MPa}$
Shell mass (filled & fuzed):	187 gram
Driving Band:	Soft iron
Primer Cap Type:	Boxer
Cartridge Case Material:	Steel
Cartridge Case Length:	152 mm approximately

Penetration

API/T:	50 mm at 200 meters
--------	---------------------

Fuze

Muzzle Safety:	8 meters
Action:	Impact with self destruction
Self Destruct Time:	5 - 12 seconds
Tracing Time API/T:	5 seconds minimum



Complies with
SABS ISO 9001