



Light Cannon Ammunition
20 x 82 mm

APPLICATION

The 20 mm range has been developed for ground-to-ground and air-to-ground applications and is optimized for use with the 20 mm GA1, 20 mm MG151, NL60, AML BITUBE, heliportable commando carriage and helicopter carriage 20161.

DESCRIPTION

The range comprises of:

- HEI; HEIT:** High Explosive Incendiary with and without tracer – nose fuzed
- SAPHEI:** Semi Armour Piercing HEI - base fuzed
- TP, TPT:** Target Practice with and without tracer - dummy fuzed

The HEI and SAPHEI shells both have direct action fuzes with muzzle and rain safety features, filled with Hexal P30 (HEI, & SAPHEI), which ensures a strong blast and powerful incendiary effect after detonation.

The SAPHEI shell penetrates 15mm armourplate (110kg/mm²) at 0 degrees (NATO), at a range of 100m with fierce incendiary effects behind the target due to Hexal P30 charge.

FEATURES

The ammunition is manufactured under strict quality control to ensure consistent and reliable operation. Soft iron driving bands are used to ensure long barrel life and prevents copper foiling.

The cartridge cases are made from steel, resulting in fewer ammunition stoppages. The rounds satisfy all safety requirements of modern ammunition and comply to Mil standards.

PACKAGING

The ammunition is supplied linked in belts and is packed and palletised. Special packaging may be negotiated. Markings can be effected according to customer requirements.



Standard packaging

TECHNICAL DATA

Complete Round

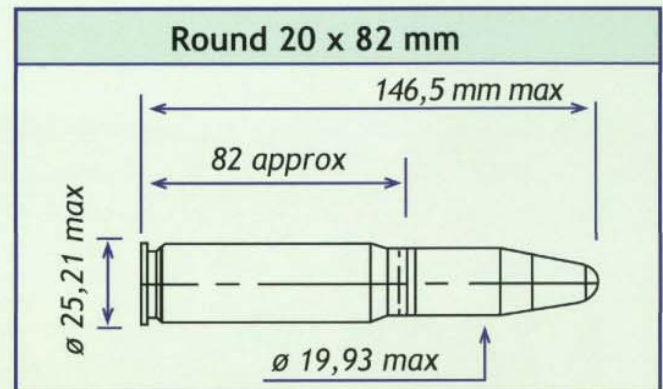
Length:	146,5 mm maximum
Mass:	205 gram
Muzzle velocity:	720 ± 10 m/s
Chamber Pressure (Piezo)	
Maximum:	≤ 325 MPa
Average:	≤ 275 MPa
Shell mass (filled & fuzed):	110 gram
Driving Band:	Soft iron
Cartridge Case Material:	Steel
Cartridge Case Length:	82 mm approximately
Primer:	Boxer

Penetration

SAPHEI:	15 mm at 100 meters
---------	---------------------

Fuze

Muzzle Safety:	6 meters minimum
Action:	Impact
Tracing Time:	2 seconds minimum



Complies with
SABS ISO 9001