



Cannon Ammunition
20 x 139 mm

APPLICATION

The 20 X 139 mm range has been developed for ground-to-ground and ground-to-air applications and is optimized for use with the Hispano-Suiza HS 820, Rheinmetall MK 20, RH 202, French MK 693 Mod. F1 and F2, South African G12 and Oerlikon KAD-A/KAD-B guns.

DESCRIPTION

The range comprises of:

- **APCT:** Armour Piercing Core Tracer with ballistic cap
- **HEI:** High Explosive Incendiary
- **HEIT:** with and without tracer - nose fuzed
- **TP, TPT:** Target Practice with and without tracer

The APCT round has a ballistic cap and penetrates 50 mm armour (110 kg/mm^2 at 0 degrees NATO) at a range of 100 m.

The HEI shells are filled with Hexal P30, which ensures a strong blast and powerful incendiary effects after detonating.

The TP round are ballistically identical to the operational types obviating the need to adjust sights when switching from one type to another.

FEATURES

The ammunition is manufactured under strict quality control to ensure consistent and reliable operation. The rounds satisfy all the safety requirements of modern cannon ammunition, and comply to Mil Standards.

PACKAGING

The ammunition is supplied linked in belts of 25 and is packed and palletised. Special packaging may be negotiated. Marking can be effected according to customer requirements.



Standard packaging

TECHNICAL DATA

Complete Round

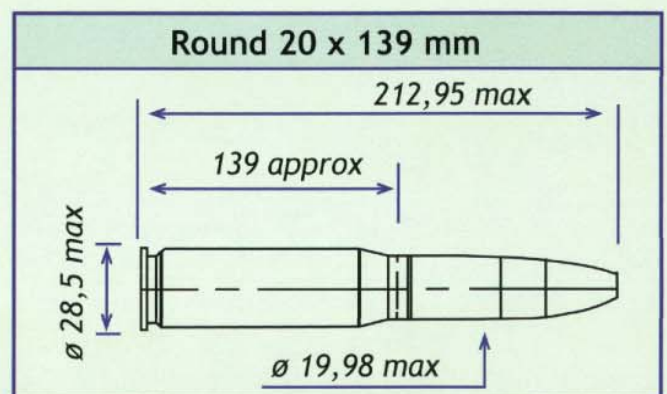
Length:	212,95 mm maximum
Mass:	314 gram
Muzzle velocity:	
APCT:	$1100 \pm 15 \text{ m/s}$
Other types:	$1050 \pm 15 \text{ m/s}$
Chamber Pressure (Piezo)	
Maximum:	$\leq 450 \text{ MPa}$
Average:	$\leq 420 \text{ MPa}$
Shell mass (filled & fuzed):	119 gram
APCT:	110 gram
Driving Band:	Soft iron
Primer Cap type:	Boxer
Cartridge Case Material:	Steel
Cartridge Case Length:	139 mm approximately

Penetration

APCT:	50 mm at 100 meters
-------	---------------------

Fuze

Muzzle Safety:	8 meters
Action:	Impact with self destruction
Self Destruct Time:	4 - 12 seconds
Tracing Time:	APCT 1,5 seconds minimum
TPT & HEIT:	2,0 seconds minimum



Complies with
SABS ISO 9001